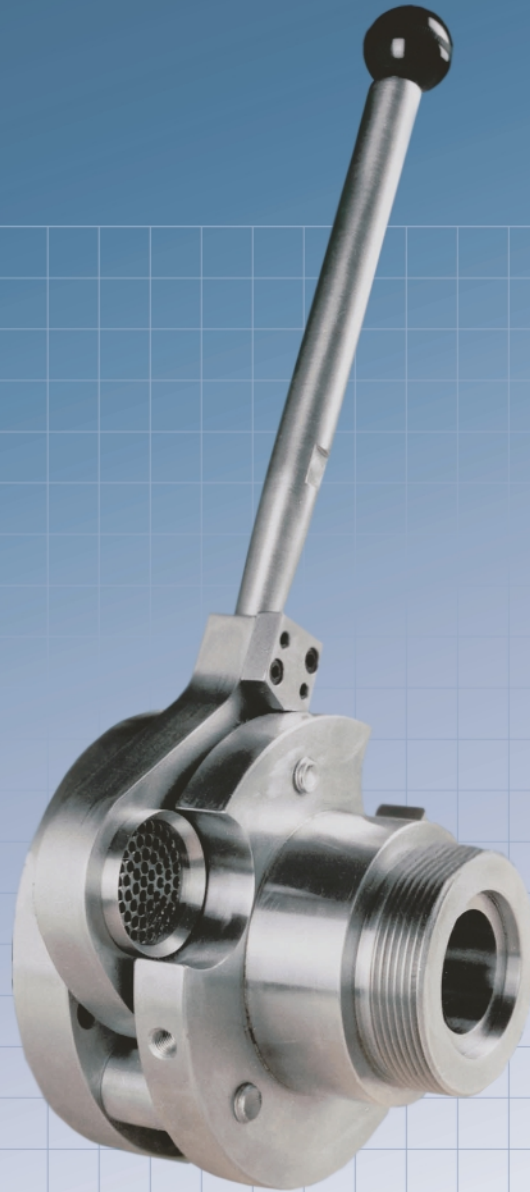


**KEY** filters, inc.

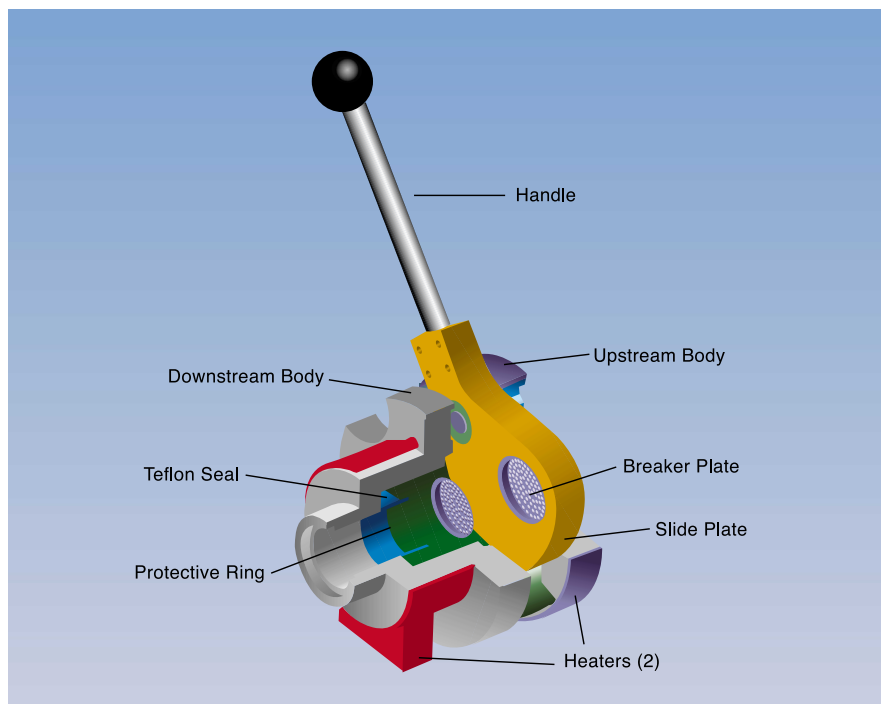


**CHiVA Manual Screen Changer**



# CHiVA

- Time Proven Pressure Activated Seal System Minimizes Operator Attention
- Teflon Protected by Protected Metal Liner
- Single Zone Temperature Control
- Breaker Plate Designed for Minimum Pressure Drop and Minimum Polymer Hang-Up
- Leak-Free up to 10,000 PSI Pressure Rating



The MSC Manual Slide Plate Screen Changer offers an economical, efficient way for plastics processors to filter contaminants from polymer flows. The MSC can be used to filter almost any type of thermoplastic material. Utilizing pressure activated seal technology developed by CHiVA, the MSC manual screen changer arrives fully assembled and ready to install, requiring minimal amount of downtime. The MSC Screen Changer is ideally suited in applications where the process is shutdown periodically before the screen pack is changed and there is no loss of production directly related to the screen change itself. It has significant advantages over stationary screens that can only be changed by machine disassembly.

The MSC will eliminate the time and labor required to change out a stationary screen and facilitate the screen change. A single individual can accomplish a screen change in less than one minute. A coextrusion break plate option is available to ensure positive screen pack retention. The MSC is leak-free up to 10,000 PSI pressure rating.

The MSC Screen Changer will improve the quality of:

- Blown Film
- Pipe/Profile
- Compounding
- Coextruded Sheet/Film
- Wire and Cable
- Sheet and Cast Film

**KEY filters, inc.**

MELT FILTRATION MACHINERY

100 Goldstein Drive  
Highland Industrial Park  
Woonsocket, RI 02895 USA

t: 401-762-2100 • f: 401-762-3313  
keysales@keyfilters.com  
www.keyfilters.com